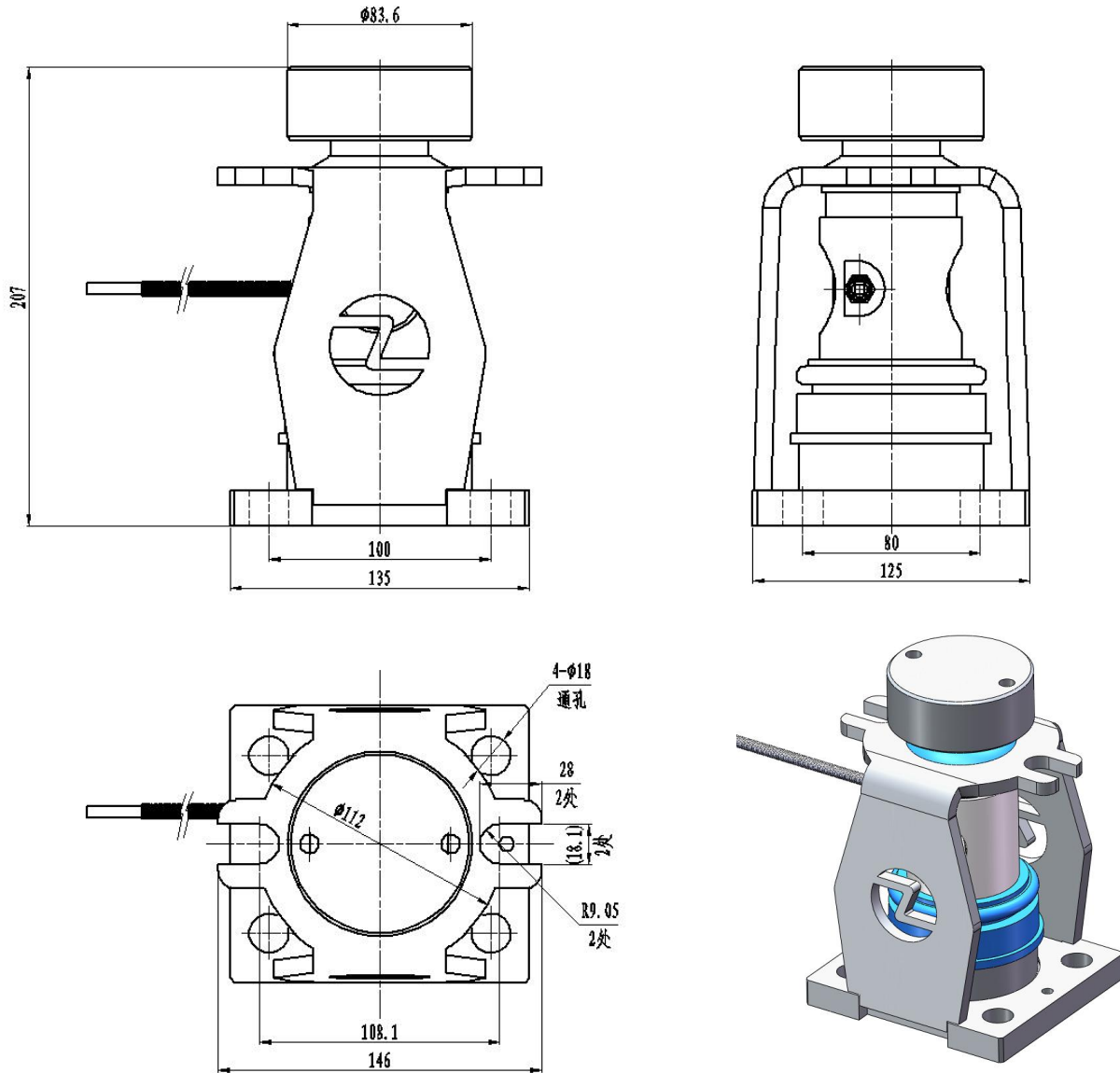


DHM14Hd13-C3-40t-16T

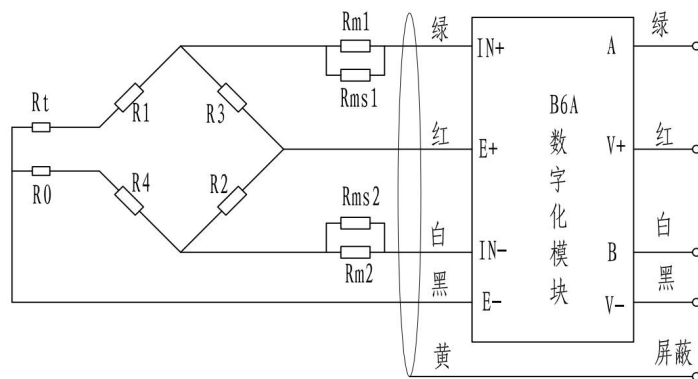
技术指标 (SPECIFICATIONS)

额定量程 (Maximum capacity)(E_{max})	t	30, 40
精度等级 (Accuracy class)		C3
额定输出 (Rated output)	d	1000000±1000
蠕变 (Creep error)	%FS	±0.025
重复性 (Repeatability)	%FS	±0.02
零点输出 (Zero output)		±400
温度对零点输出的影响 (Temperature effect on zero balance)	%FS/10°C	±0.02
温度对输出灵敏度的影响 (Temperature effect on sensitivity)	%FS/10°C	±0.011
零点 (Zero)	d	±500
绝缘阻抗 (Insulation resistance)	MΩ	≥5000 (50VDC)
通讯接口 (Communications interfaces)		RS485 four-wire
补偿温度 (Compensated temperature)	°C	-10 to +40
工作温度 (Operating temperature)	°C	-35 to +70
推荐激励电压 (Excitation, recommended voltage)	V	6 to 15
最大激励电压 (Excitation maximum)	V	15
安全过载范围 (Safe overload)	%FS	120
极限过载范围 (Ultimate overload)	%FS	150
材料 (Element Material)		Alloy steel
表面处理 (Surface treatment)		Chemical nickel plated/Electro nickel plated
防护等级 (Ingress Protection)		IP68

外形尺寸(DIMENSIONS):mm



接线方式(WIRING)



导线规格 (Cable type)	橘色 4 芯屏蔽电缆, $\Phi 5.6\text{mm}$ (4 conductor shield cable, $\Phi 5.6\text{mm}$) 电缆线护套材料: PVC (Cable sheath: PVC)
导线长度 (Cable length)	L1=12 ± 0.05m, L2=16 ± 0.05m