

BM24R

- Stainless steel IP68 low profile load cell
- Hermetically sealed
- Suitable for hopper, platform and pallet scales
- Integrated static overload protection up to 13t



AVAILABLE MODELS

Capacity	Accuracy	Full article description
60 kg	C3/C4/C5	BM24R -60kg -C3/C4/C5 -3G
130 kg	C3/C4/C5	BM24R -130kg -C3/C4/C5 -3G
280 kg	C3/C4/C5	BM24R -280kg -C3/C4/C5 -3G
250 kg	C3/C4/C5	BM24R -250kg -C3/C4/C5 -3G
500 kg	C3/C4/C5	BM24R -500kg -C3/C4/C5 -3G
1 t	C3/C4/C5	BM24R -1t -C3/C4/C5 -3G
2 t	C3/C4/C5	BM24R -2t -C3/C4/C5 -6G
3.5 t	C3/C4/C5	BM24R -3.5t -C3/C4/C5 -6G
5 t	C3/C4/C5	BM24R -5t -C3/C4/C5 -6G
10 t	C3/C4/C5	BM24R -10t -C3/C4/C5 -15G
13 t	C3/C4/C5	BM24R -13t -C3/C4/C5 -15G
28 t	C3/C4/C5	BM24R -28t -C3/C4/C5 -15G
60 t	C3/C4/C5	BM24R -60t -C3/C4/C5 -15G



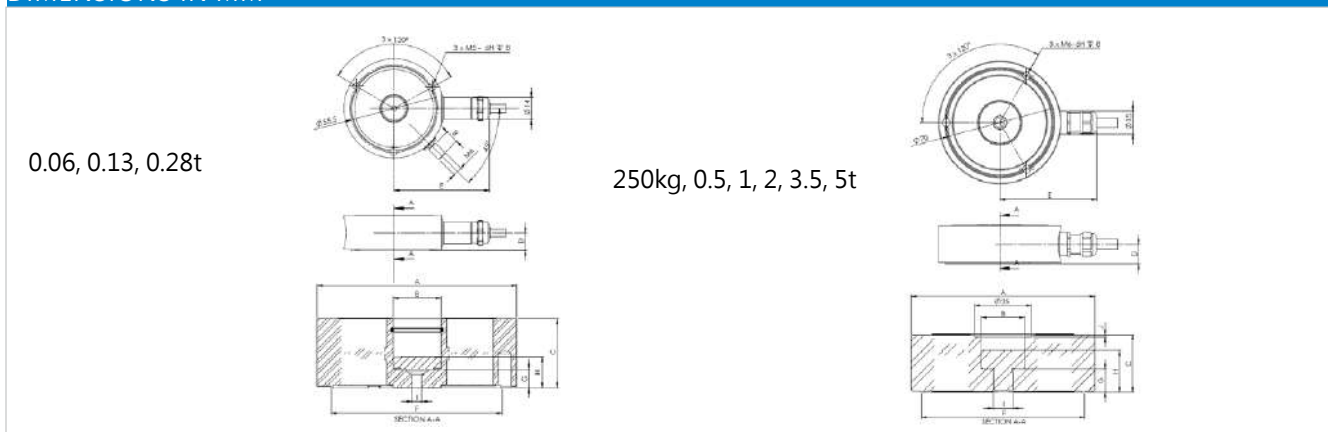
OIML test certificate no. TC7865 Revision 1
C of C no R60/2000-NL1-11.21

NIP Certificate no. 11-103A1

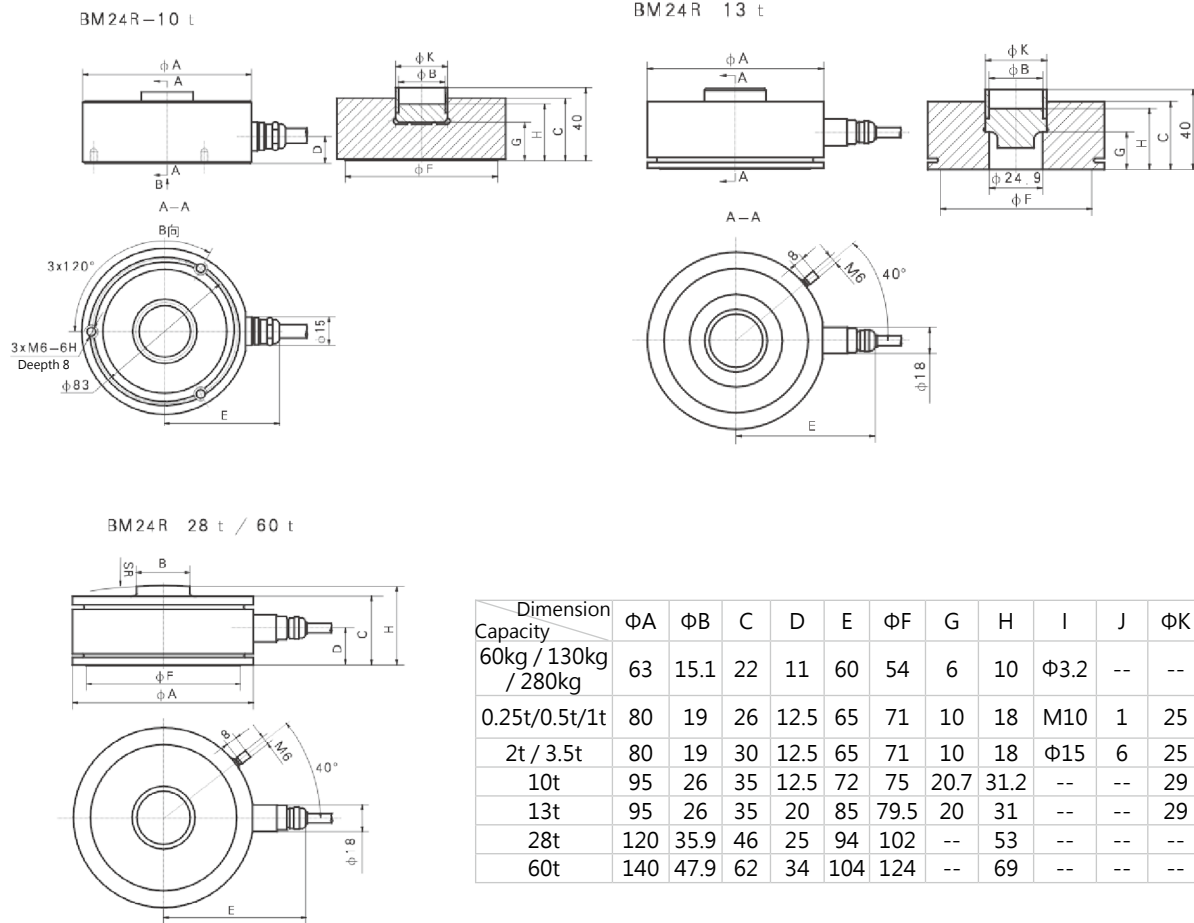
SPECIFICATION

Accuracy class		OIML R60 C3 / OIML R60 C4 / OIML R60 C5						
Output sensitivity (= FS)	mV/V	1±0.01	1.75±0.1	2.0±0.1	2.0±0.1	2.0±0.1	2.0±0.1	2.0±0.1
Maximum capacity (Emax)	t	0.06/0.13/0.28	0.25	0.5/1/ 2/3.5/5/10	13	28	60	
Maximum number of load cell intervals (nLC)		C3=3000, C4=4000, C5=5000						
Ratio of minimum LC verification interval Y=Emax / Vmin		C3=10000, C4 and C5=16000						
Combined error	%FS	C3=±0.0230, C4=±0.0174, C5=±0.0140						
Minimum dead load	%FS	0						
Safe overload	%FS	150						
Safe sideload	%FS	75						
Zero balance	%FS	± 1.0						
Excitation, recommended voltage	V	10 ~ 15 (DC)						
Excitation maximum	V	30 (DC)						
Input resistance	Ω	1260 ±100	1100 ±100	1100 ±100	1200 ±100	1075 ±100	1350 ±200	
Output resistance	Ω	1020 ± 0.5	1025 ± 25	1025 ± 25	1000 ± 0.5	930 ± 0.5	1175 ± 0.5	
Insulation resistance	MΩ	≥ 5000 (50VDC)						
Compensated temperature	°C	-10 ~ +40						
Operating temperature	°C	-35 ~ +65						
Temperature range, storage	°C	-40 ~ +70						
Element material		Stainless steel						
Ingress protection (according to EN 60529)		IP68						
Recommended torque on fixation	N.m	M5: 3.5 M6:10						
ATEX classification (optional)		II1G Ex ia IIC T4 Ga, II1D Ex ia IIIC T73°C, II3G Ex ic IIC T4 Gc, II3G Ex nA IIC T4 Gc, II3D Ex tc IIIC T63°C Dc						

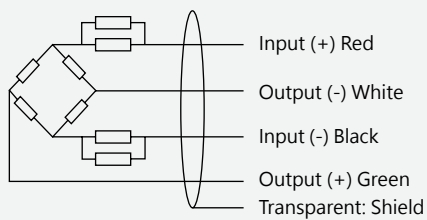
DIMENSIONS IN MM



OUTLINE DIMENSION MM (INCH)



WIRING



- Adopt shielded, 4 conductor cable: $\Phi 6.2 \pm 0.1 \text{mm}$

Capacity	Standard cable length (m)
60Kg	3
130Kg	
250Kg	
280Kg	
500Kg	
1t	6
2t	
3.5t	
5t	15
10t	
13t	
28t	
60t	