

# CHECKWEIGHER WITH METAL DETECTOR CW-3K

CW-3K is a high speed and accuracy checkweigher with weight check and metal detection function.

## Feature Highlights

- 10-inch touch screen, easy operation;
- External expansion of IO port, serial port and network communication to achieve product management, monitoring and remote control;
- Widely used in food, pharmaceutical, daily use chemical, textile and other industries.



**3kg**  
Maximum capacity

**± 1g**  
Best accuracy

**100 Pcs/min**  
Highest speed

**Best Metal Detection Sensitivity**  
(Only metal test card)

Fe ≥ φ 0.7mm  
Sus304 ≥ φ 1.2mm  
Non-Fe ≥ φ 1.0mm



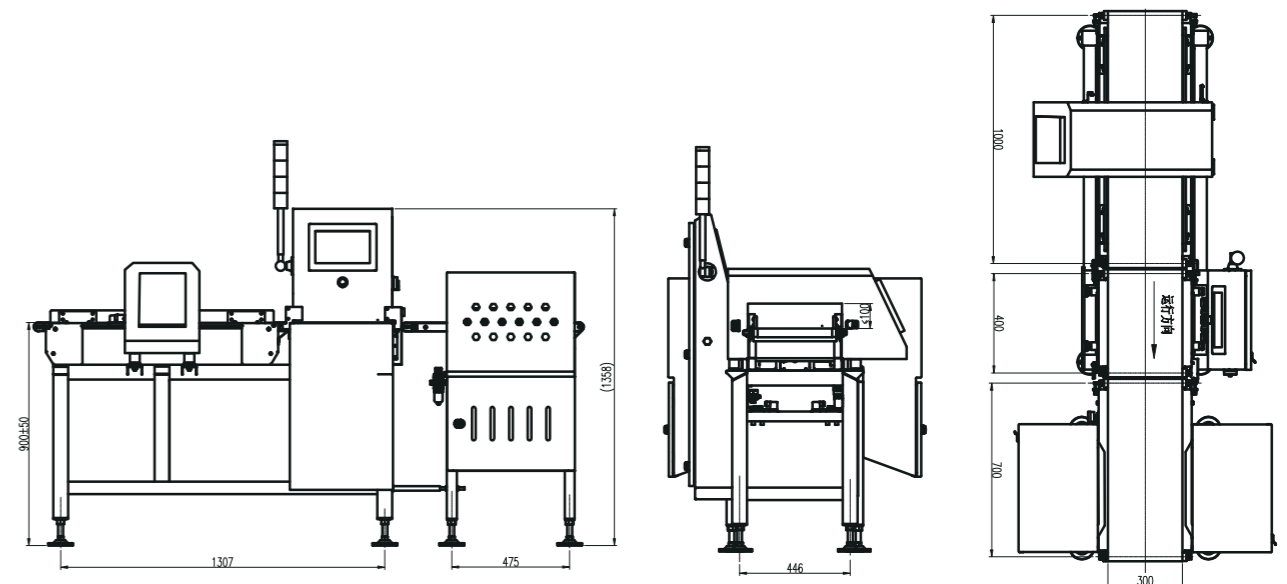
## Standard specification

Model	CW-3K
Maximum capacity	3kg
Best accuracy*	±1g
Highest weighing speed*	≤ 100 pcs/min
Belt speed	5~40 m/min
Belt size	400x300mm
Best metal detection sensitivity* (Only metal test card)	Fe ≥ φ 0.7mm Sus304 ≥ φ 1.2mm Non-Fe ≥ φ 1.0mm
Metal detector wide	300mm
Metal detector height	80mm/100mm/120mm/150mm
Platform height	700+100mm/-50mm(customization available)
Structure of the material	S304
Rejector lineup	Options: swing, push type
Power	Single Phase AC-220V±10%,50/60HZ,730W
Operating temperature	0~40°C
IP grade	IP54/IP65 Optional

\*Metal detection sensitivity depends on product dimension, product materials, and is affected by test object features (humidity, temperature, salinity, mineral content, etc.), as well as some environmental effects, such as vibration, electromaagnetic field interference, et.,

## Structure & Dimension

Unit: mm



\*Specification and dimension may be upgraded, please consult sales manager for the latest info.