

CHECKWEIGHER WITH METAL DETECTOR

CW-6K

CW-6K checkweigher with metal detector is a combo machine with dynamic weight checking and metal detecting function.

Feature Highlights

- 10-inch touch screen, easy operation;
- External expansion of IP port, serial port and network communication to achieve product management, monitoring and remote control;
- Widely used in food, daily use chemical, textile and packaging industries and so on.



6kg
Maximum capacity

± 1g
Best accuracy

80 Pcs/min
Highest speed

Best Metal Detection Sensitivity
(Only metal test card)

Fe ≥ φ 0.7mm
Sus304 ≥ φ 1.2mm
Non-Fe ≥ φ 1.0mm



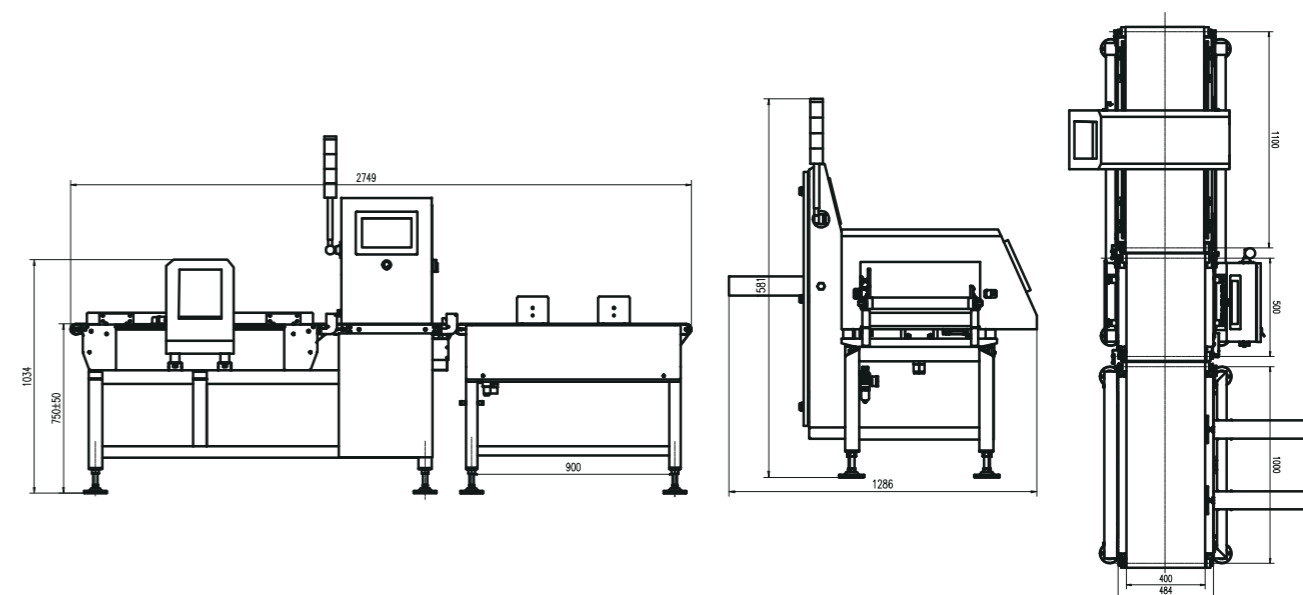
Standard specification

Model	CW-6K
Maximum capacity	6kg
Best accuracy*	±1g
Highest weighing speed*	≤80 pcs/min
Belt speed	5~40 m/min
Belt size	500x400mm
Best metal detection sensitivity* (Only metal test card)	Fe ≥ φ 0.7mm Sus304 ≥ φ 1.2mm Non-Fe ≥ φ 1.0mm
Metal detector wide	400mm
Metal detector height	60mm/80mm/100mm/120mm/150mm/180mm/200mm/250mm/280mm/320mm
Platform height	750+100mm/-50mm
Structure of the material	S304
Rejector lineup	Options: swing, push ,drop type
Power	Single Phase AC-220V±10%,50/60HZ,1275W
Operating temperature	0~40°C
IP grade	IP54/IP65 Optional

*Metal detection sensitivity depends on product dimension, product materials, and is affected by test object features (humidity, temperature, salinity, mineral content, etc.), as well as some environmental effects, such as vibration, electromaagnetic field interference, et.,

Structure & Dimension

Unit: mm



*Specification and dimension may be upgraded, please consult sales manager for the latest info.