

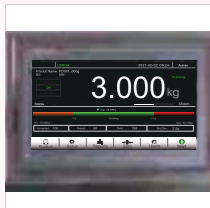
DYNAMIC CHECKWEIGHER CW-3K

- CW-3K check weigher is suitable for product weight range from 0.3~3kg;
- Best weighing accuracy±1g;
- 10-inch touch screen, can store over 1 million transactions, data export through USB;
- It is widely used for food and beverage, pet food, daily use chemical industry, and so on.

Multiple industrial application



3kg
Maximum capacity



± 1g
Best accuracy



150 Pcs/min
Highest speed



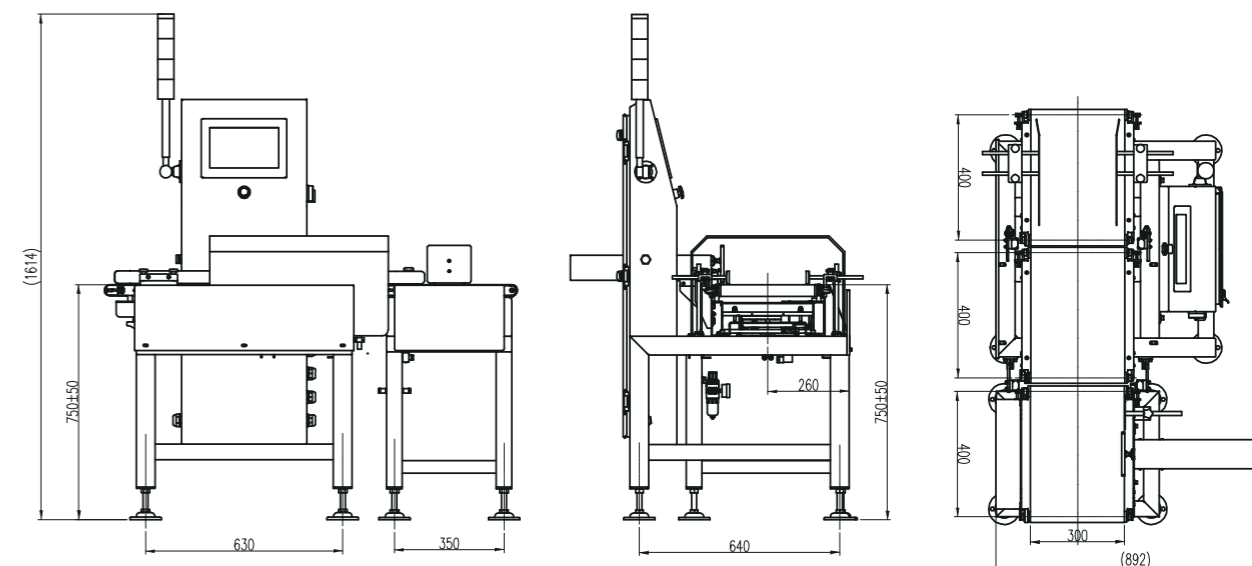
Standard specification

Model	CW-3K
Maximum capacity	3kg
Best accuracy*	±1g
Highest weighing speed*	150 pcs/min
Belt speed	10~90 m/min
Belt size	400x300mm
Roller distance(center)	400mm
Weighing platform height *	750+100mm/-50mm(customizable)
Belt material	PU (white)
Structure of the material	S304 stainless steel
Alarm light	3-color signal light (Red, yellow, green)
Display size	10-inch color touch screen
Rejector lineup	Options: swing, push, drop type
Power	AC-220V±10%,50/60HZ,675W
Operating temperature	0~40°C
IP grade	IP54/IP65 Optional

*Depend on the weight, size, and material of test object

Dimensions

Unit:mm



*Specification and dimension may be upgraded, please consult sales manager for the latest info.