

# DYNAMIC CHECKWEIGHER CW-60K

- Heavy load heavy duty, for bags, boxes weight up to 60kg with accuracy within 10 grams;
- Strong structure for hash environment, option S304,S316 structure, option stainless load cell;
- Using 4 load cells for platform, with variable mounting position for high accuracy under harsh environment;
- Flexible Modbus communication to integrate with computer, scanner, dimension measure device and soon.

## Multiple industrial application



Logistic



Automation production line



Grain and feeds



**60 kg**  
Maximum capacity

**± 10g**  
Best accuracy

**60 Pcs/min**  
Highest speed



**Optional**



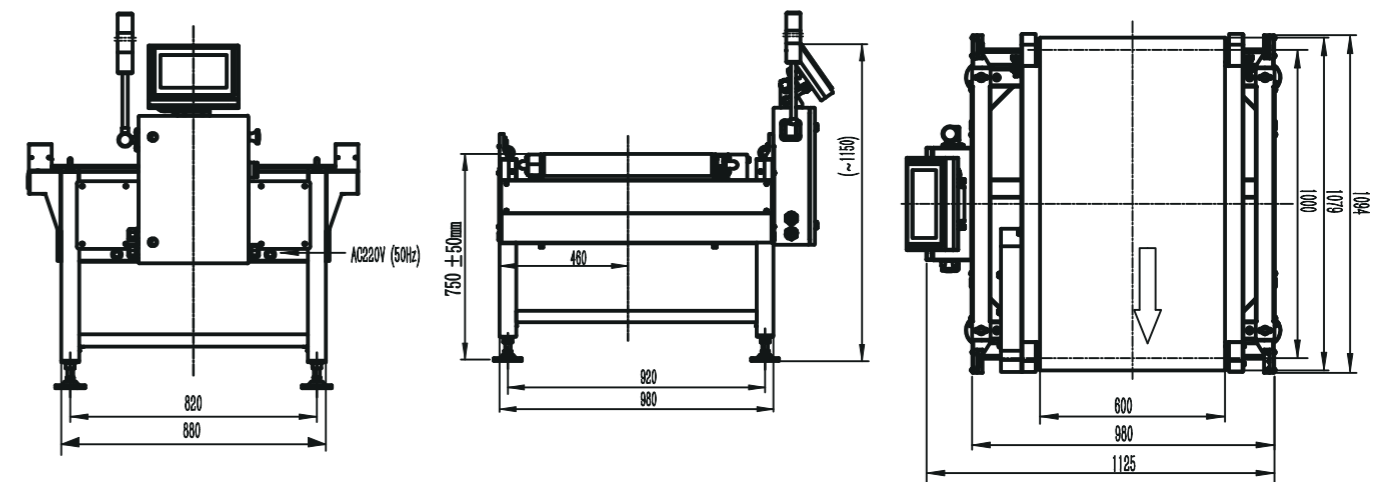
## Standard specification

Model	CW-60K
Maximum capacity	60kg
Scale division	5g
Best accuracy*	±10g
Highest weighing speed*	60 pcs/min
Belt speed	10~60 m/min
Belt size	1000/1200x600mm
Weighing platform height *	400~750+100mm/-50mm
Belt material	PVC (black)
Structure of the material	Carbon steel,S304 for weighing platform
Alarm light	3-color signal light (Red, yellow, green), Optional buzzer
Display size	10-inch color touch screen
Rejector lineup	Options: roller push type
Power	Single Phase AC-220V±10%,50/60HZ,825W
Operating temperature	0~40°C
IP grade	IP54/IP65 Optional

\*Depend on the weight, size, and material of test object

## Dimensions

Unit:mm



\*Specification and dimension may be upgraded, please consult sales manager for the latest info.