

DYNAMIC CHECKWEIGHER CW-6K

- CW-6K check weigher is suitable for product weight range from 0.5-6kg.
- Weighing accuracy is within $\pm 2g$;
- 10-inch touch screen, can store over 1 million transactions, data export through USB;
- It is widely used for food, feeds, logistic industries, automation production line, and so on.

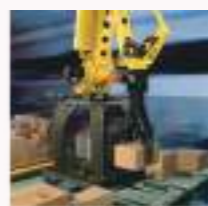
Multiple industrial application



Food



Logistic



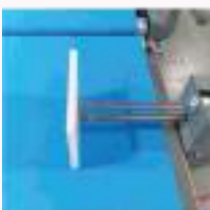
Automation production line



6kg
Maximum capacity



$\pm 2g$
Best accuracy



100 Pcs/min
Highest speed



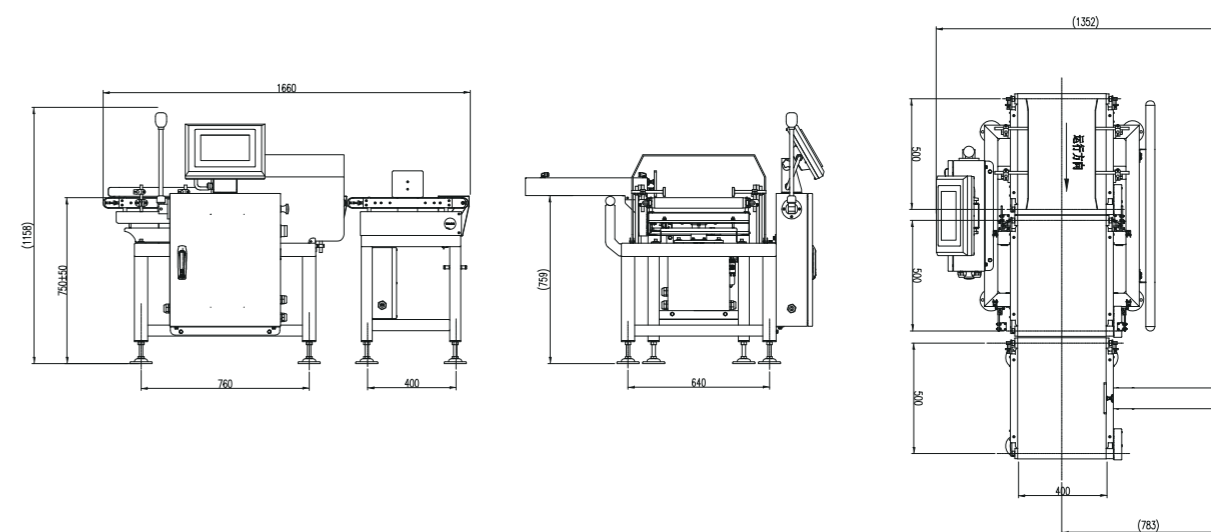
Standard specification

Model	CW-6K
Maximum capacity	6kg
Scale division	0.5g
Best accuracy*	$\pm 2g$
Highest weighing speed*	100 pcs/min
Belt speed	10~50 m/min
Belt size	500x400mm
Weighing platform height *	750+100mm/-50mm
Belt material	PU (blue/white)
Structure of the material	Carbon steel,S304 for weighing platform/S304 for whole machine
Alarm light	3-color signal light (Red, yellow, green)
Display size	10-inch color touch screen
Rejector lineup	Options: swing, push, drop type
Power	Single Phase AC-220V $\pm 10\%$,50/60HZ,1257W
Operating temperature	0~40°C
IP grade	IP54/IP65 Optional

*Depend on the weight, size, and material of test object

Dimensions

Unit:mm



*Specification and dimension may be upgraded, please consult sales manager for the latest info.