

## GML-X8 Q Series 系列

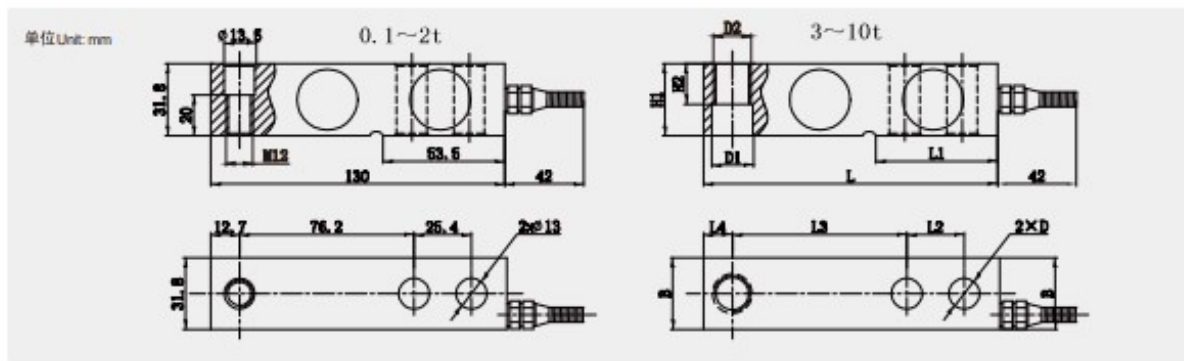


## 悬臂梁称重传感器 (可选数字版)

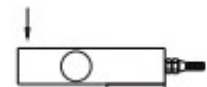
Shear Beam Load Cell (Digital Version Available)

结构紧凑, 安装高度低;  
有过载保护与支撑杆, 采取摆支撑有自复位功能;  
模拟及数字版本可选。

Compact installation at minimum installation height;  
With overload stop and stay rod,  
Self-restoring due to pendulum bearing;  
Analog or digital version selection.



Cap(unit)t	L	L1	L2	L3	L4	B	H1	H2	D	D1	D2
3~5	171.5	72.5	38.1	95.3	19	38.1	38.1	26	∅20	∅20	M18×1.5
7.5~10	225.5	102	50.8	124	25.3	50.8	50.8	25.4	∅27	∅27	M24×2



地上衡, 配料控制系统, 平台秤  
Floor scale, blending control system, platform scale

### Specifications 技术说明 Exc+(Red,红); Exc-(Black,黑); Sig+(Green,绿); Sig-(White,白); Sen+(Blue,蓝); Sen-(Yellow,黄)

Item 项目	Unit 单位	Parameter 参数				
Accuracy class 精度等级		C3				
Maximum capacity(Emax) 额定载荷	t	0.1 / 0.3 / 0.5 / 1 / 2 / 3 / 5 / 7.5 / 10				
Minimum LC verification interval (Vmin) 最小检定分度值	% of Emax	0.0100				
Sensitivity (Cn) / Zero balance 灵敏度/零点平衡	mV/V	0.1~0.5t : 2.0±0.002 / 0±0.02 1~10t : 3.0±0.003 / 0±0.03				
Temperature effect on zero balance(TKo) 温度对零点影响	% of Cn/10K	±0.0170				
Temperature effect on sensitivity(TKc) 温度对灵敏度影响	% of Cn/10K	±0.0170				
Hysteresis error(dhy) 滞后误差	% of Cn	±0.0180				
Non-linearity(dlin) 非线性误差	% of Cn	±0.0167				
Creep(dcr) over 30 min. 蠕变及蠕变恢复	% of Cn	±0.0167				
Input(RLc) & Output resistance (Ro) 输入&输出电阻	Ω	400±10 & 352±3				
Nominal range of excitation voltage (Bu) 额定电压	V	5~15				
Insulation resistance (Ris) at50Vdc 绝缘电阻	MΩ	≥5000				
Service temperature range (Btu) 工作温度	℃	-40...+70				
Safe load limit (EL) & Breaking load (Ed) 安全承载&破坏载荷	% of Emax	120 & 200				
Protection class according to EN60529 (IEC 529) 保护等级		IP68 / IP67				
Material 材料		合金钢和不锈钢可选 Option: Alloy steel, Stainless steel.				
Maximum capacity (Emax) 额定载荷	t	0.1~2.5	3	5	7.5	10
Deflection at Emax (snom) ,approx 最大载荷下的变形量	mm	<0.65	<0.75	<0.85		
Weight (G) , approx 重量	kg	1.2	1.7	3.8		
Cable 电缆: Diameter 直径: ∅6mm Length 长度	m	3	4.2	5		