

## GML-D6 1241 Series系列



### 单点式传感器

Single Point Load Cells

铝合金材质;  
防护等级: IP65;  
适合单个或者双个传感器结构的秤体的平台秤。

Alloy steel;  
IP65;  
Suitable for platform scale with single or dual load cells.

## GML-D6 1022 Series系列

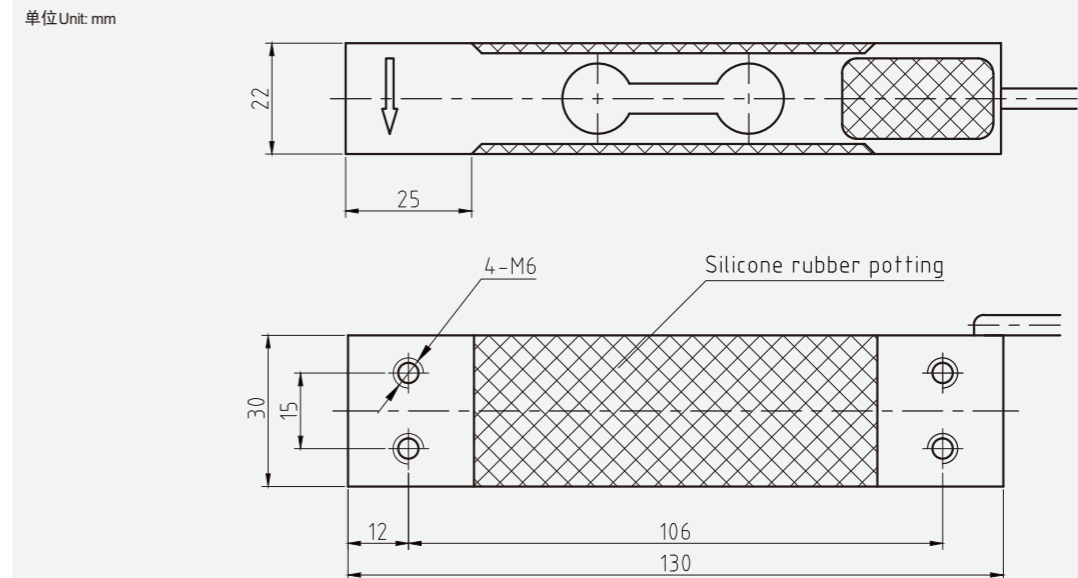
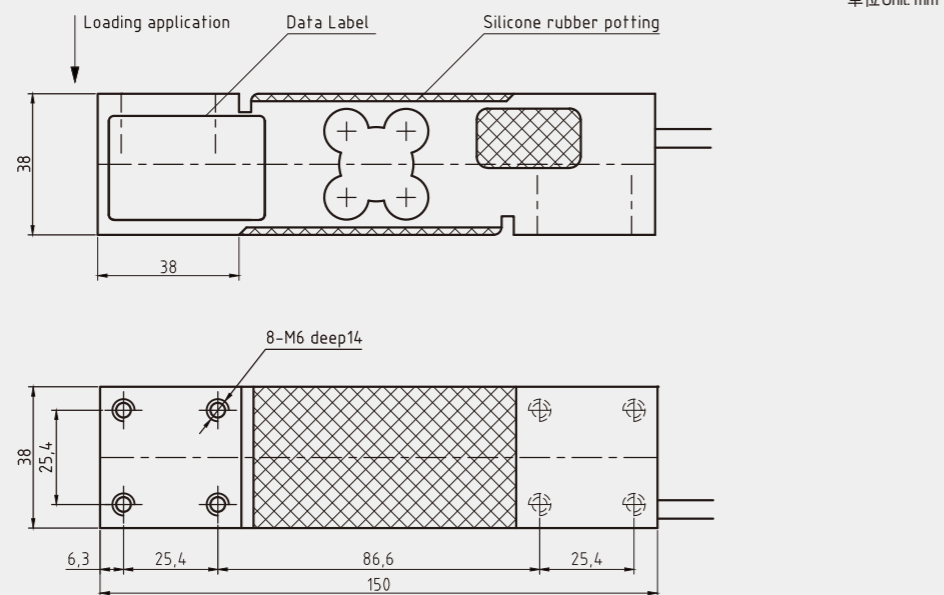


### 单点式传感器

Single Point Load Cells

铝合金材质;  
防护等级: IP65;  
适合单个或者双个传感器结构的秤体的平台秤。

Alloy steel;  
IP65;  
Suitable for platform scale with single or dual load cells.



### Specifications 技术说明 Exc+激励正(Red,红);Exc-激励负(Black,黑);Sig+信号正(Green,绿);Sig-信号负(White,白)

Item 项目	Unit 单位	Parameter 参数
Accuracy class 精度等级		C3
Maximum capacity(Emax) 额定载荷	kg	50 / 100 / 200 / 250
Minimum LC verification interval(Vmin)最小检定分度值	% of Emax	0.0023
Sensitivity(Cn)/Zero balance 灵敏度/零点平衡	mV/V	2.0±0.2/0±0.02
Temperature effect on zero balance (TKo) 温度对零点影响	% of Cn/10K	±0.017
Temperature effect on sensitivity (TKc) 温度对灵敏度影响	% of Cn/10K	±0.010
Hysteresis error(dhy)滞后误差	%of Cn	<±0.017
Non-linearity(dlin)非线性误差	%of Cn	<±0.017
Creep(dcr) over 30 min.蠕变及蠕变恢复	% of Cn	<±0.017
Input (RLc) &Output resistance (Ro) 输入&输出电阻	Ω	404±10 & 350±3
Nominal range of excitation voltage (Bu)额定电压	V	5~15
Insulation resistance(Ris) at 50Vdc 绝缘电阻	MΩ	>5000
Service temperature range(Btu) 工作温度	°C	-30...+70
Safe load limit(EL) & Break load(Ed)破坏载荷&安全承载	% of Emax	150 & 300
Protection class according to EN60529 (IEC 529) 保护等级		IP65
Weight(G),approx重量	kg	0.6
Cable 电缆: Diameter直径Φ6mm Length 长度	m	2.0

### Specifications 技术说明 Exc+激励正(Red,红);Exc-激励负(Black,黑);Sig+信号正(Green,绿);Sig-信号负(White,白)

Item 项目	Unit 单位	Parameter 参数
Accuracy class 精度等级		C3
Maximum capacity(Emax) 额定载荷	kg	5 / 10 / 20 / 40 / 50
Minimum LC verification interval(Vmin)最小检定分度值	% of Emax	0.0023
Sensitivity(Cn)/Zero balance 灵敏度/零点平衡	mV/V	2.0±0.2/0±0.02
Temperature effect on zero balance (TKo) 温度对零点影响	% of Cn/10K	±0.017
Temperature effect on sensitivity (TKc) 温度对灵敏度影响	% of Cn/10K	±0.010
Hysteresis error(dhy)滞后误差	%of Cn	<±0.017
Non-linearity(dlin)非线性误差	%of Cn	<±0.017
Creep(dcr) over 30 min.蠕变及蠕变恢复	% of Cn	<±0.017
Input (RLc) &Output resistance (Ro) 输入&输出电阻	Ω	404±10 & 350±3
Nominal range of excitation voltage (Bu)额定电压	V	5~15
Insulation resistance(Ris) at 50Vdc 绝缘电阻	MΩ	>5000
Service temperature range(Btu) 工作温度	°C	-30...+70
Safe load limit(EL) & Break load(Ed)破坏载荷&安全承载	% of Emax	150 & 300
Protection class according to EN60529 (IEC 529) 保护等级		IP65
Weight(G),approx重量	kg	0.2
Cable 电缆: Diameter直径Φ6mm Length 长度	m	0.35[可选: 1.0]