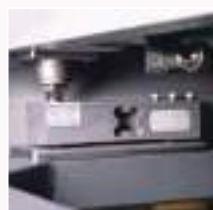


VERTICAL CHECKWEIGHER CW-60K-V

CW-60K-V checkweigher has wide weighing range but high accuracy guarantee. It is perfect for weighing the various bags and boxes running in vertical way in the production line.

- Standard module design for easy installation and maintenance;
- Easy integrating in the production line;
- Maximum capacity: 60kg, weighing accuracy is within $\pm 20g$;

Multiple industrial application



60kg
Maximum capacity



$\pm 10g$
Best accuracy



50 Pcs/min
Highest speed

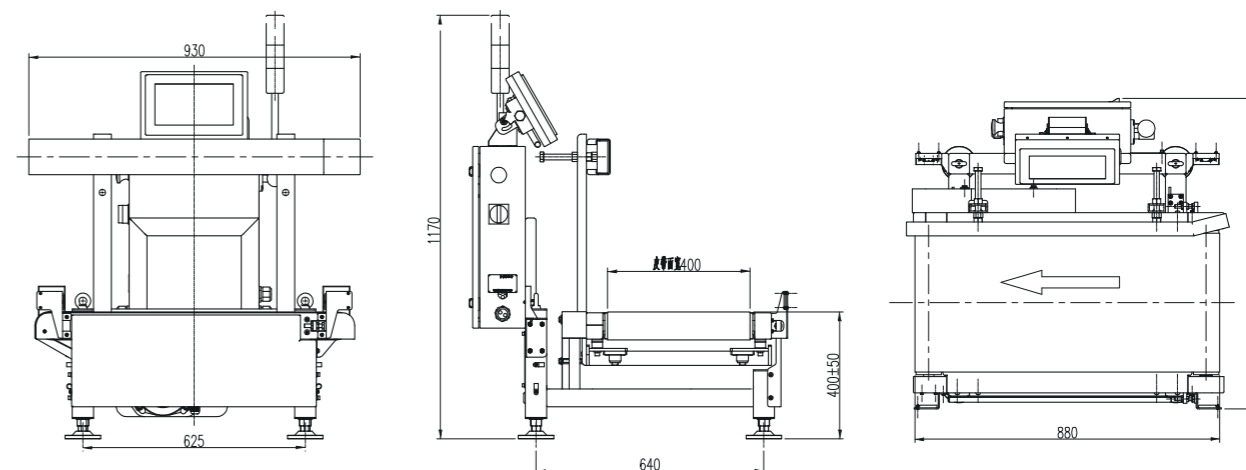
Standard specification

Model	CW-60K-V
Maximum capacity	60kg
Best accuracy*	$\pm 10g$
Highest weighing speed*	≤ 50 pcs/min
Belt speed	40 m/min
Belt size	800x400mm
Distance between rollers	800mm
Weighing platform height *	400+100mm/-50mm
Belt material	PVC (black)
Structure of the material	Carbon steel, S304 for weighing platform
Alarm light	3-color signal light (Red, yellow, green), Optional buzzer
Display size	10-inch color touch screen
Power	Single Phase AC-220V $\pm 10\%$, 50/60HZ, 825W
Operating temperature	0~40 $^{\circ}C$
IP grade	IP54

*Depend on the weight, size, and material of test object

Dimensions

Unit:mm



*Specification and dimension may be upgraded, please consult sales manager for the latest info.