

# WEIGHT CHECK & SORTING MACHINE CW-1.2K

- Can be used for sorting up to 11 grades of weight;
- For raw food, bags, bottles, containers and so on;
- SS304 stainless steel;
- 10-inch touch screen;
- Can store over 1 million entries, data export by USB.

## Multiple industrial application



**1200g**  
Maximum capacity

**±0.5g**  
Best accuracy

**120 Pcs/min**  
Highest speed



www.gmweighing.com

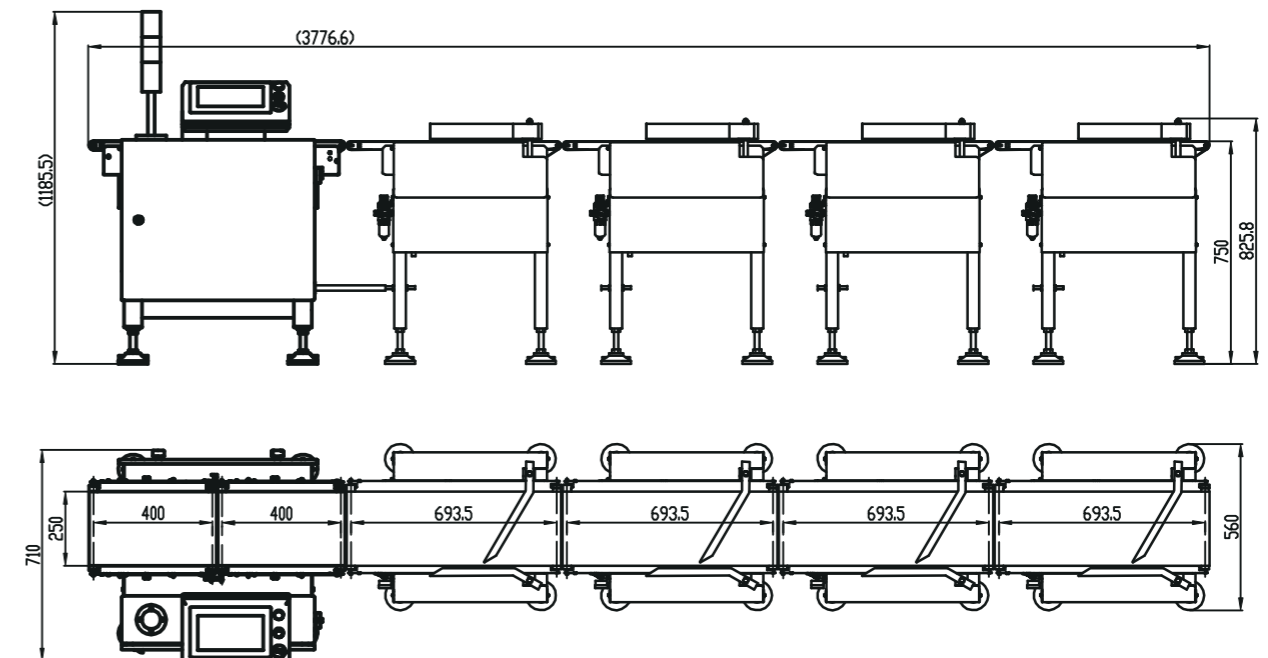
## Standard specification

Model	CW-1.2K
Maximum capacity	1200g
Scale division	0.1g
Best accuracy*	±0.5g
Highest weighing speed*	120 pcs/min
Belt speed	5~50 m/min
Belt size	400x250mm
Weighing platform height *	750+100mm/-50mm
Belt material	PU (white)
Structure of the material	S304
Alarm light	3-color signal light (Red, yellow, green), Optional buzzer
Display size	10-inch color touch screen
Rejector lineup	Options: swing type, push type rejector
Power	Single Phase AC-220V±10%,50/60HZ,500w
Operating temperature	0~40°C
IP grade	IP54/IP65 Optional

\*Depend on the weight, size, and material of test object

## Dimensions

Unit:mm



\*Specification and dimension may be upgraded, please consult sales manager for the latest info.