

Checkweigher for Explosion Risk Application CW-60K-Ex

CW-60K-Ex check weigher is designed for automatic weight checking in industrial field where there is a risk of explosion. Its module design with full touch screen makes it easy installation and operation.

- Anti-explosion control box to meet the requirements of anti-explosion application;
- Automatic online weight checking, the highest speed is 60pcs/min;
- Standard module design for easy integrating in production line;
- The highest accuracy can reach $\pm 5g$;
- Support Modbus TCP/IP, RS485 for communication.

Multiple applications



Horizontal Version



Vertical Version

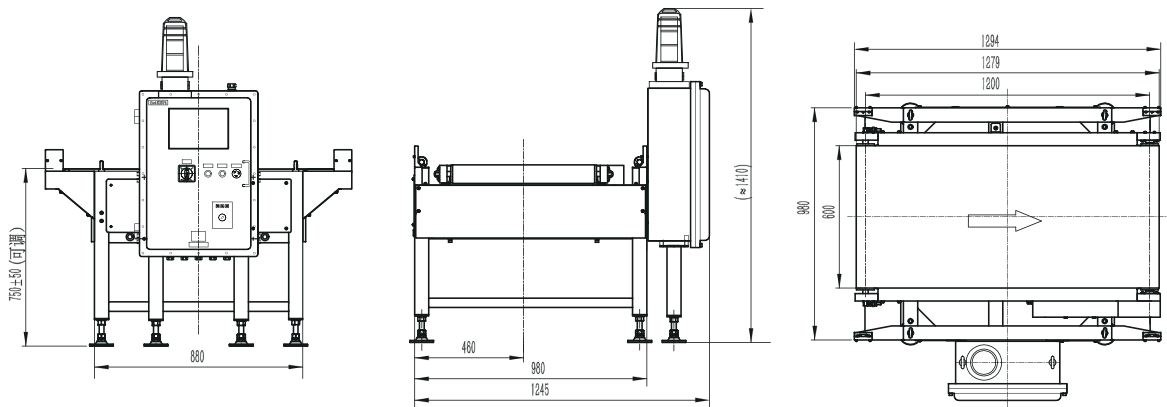
Specification

Model	CW-60K-Ex Horizontal	CW-60K-Ex Vertical
Power	AC380V±10%, 50/60Hz, 1KW	AC380V±10%,50/60Hz,1KW
Weighing Range	5~60kg	5~60kg
Highest Accuracy	±10g	±10g
Highest Speed	≤60pcs/min(Belt length: 1000mm)	≤50pcs/min(Belt length: 800mm)
	≤50pcs/min(Beltlength: 1200mm)	
Tested Object Size	Length: 100~800/1000mm,	Length: 100~600mm,
	Width: 50~600mm,	Width: 50~400mm,
	Height: 50~600mm	Height: 50~400mm
Belt Speed	10~60m/min	10~40m/min
Conveyor Size	1200mm*600mm*/1000mm*600mm	800mm*400mm
Distance Between Rollers	1200mm/1000mm	800mm
Weighing Platform Height	400~750(±50mm)(Customization)	400~750(±50mm)(Customization)
Working Temperature	0~40℃	0~45℃
Max. Humidity	90%R.H, non-condensation	90% R.H, non-condensation
Load Limit	The instantaneous load limit is 100kg	The instantaneous load limit is 100kg

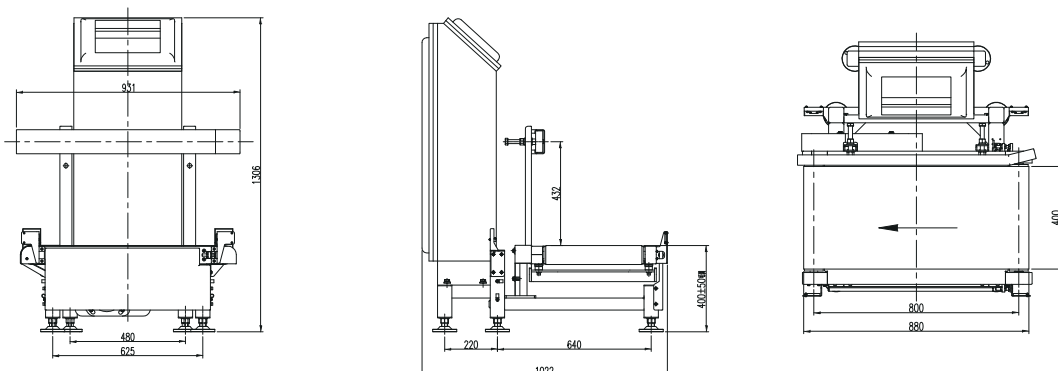
Dimensions

Unit:mm

Horizontal Version



Vertical Version



Ex Components Selection (Horizontal)			
Component	Brand	Model	Ex Grade
Ex Cabinet	Nanyang Zhongrong	BXK56-400	Ex d II B T4 Gb; Ex tD A21 IP65 T130°C
Ex photoelectric Sensor	Baogu	BOD-SA18GM4M-24NK	EX mb II C T6 Gb; Ex tD A21 IP67 T80°C
	Micro Detector	FAIM/BN-0AAN	II 3G Ex nA HIC T6 Gc; II 3D Ex tc IIIB T85°C DC
Ex Load Cell	Zemic	HM11-C3-100KG-3B-F1	EX ia II C T6 Ga; Ex ia IIIC T80°C Db
	Mettler Toledo	MTB-100KG	EX II CT4 GC; Ex tc IIIC T130°C Dc
	HBM	K-Z6-F-C3-100-AL1/21-S3-N-N	Ex ia I Ma; Exia I Mb; Exia II C T4/T6 Ga; Exia IIC T4/T6 Gb; Ex iaD 20 T125; Ex iaD21 T125; Ex nA IIC T4/T6 Gc; Ex tD A21 IP67 T125°C
Ex Motor	Nanyang Weite	YFB3-80M2-4	Ex tD A21 1P65 T130°C
	SEW	RF27 EDRN80M4	II 3G Ex ec IIC T3 Gc
	SEW	RF27 EDRN80M4	II 3D Ex tc IIIC T120°C Dc

Ex Components Selection (Vertical)			
Component	Brand	Model	Ex Grade
Ex Cabinet	Nanyang Zhongrong	BXK56-400	Ex d II B T4 Gb/Ex tD A21 IP65 T130°C
Ex photoelectric Sensor	Micro Detector	FAIM/BN-OAAN	II 3G Ex nA HIC T6 Gc; II 3D Ex tc IIIB T85°C DC
Ex Load Cell	Zemic	HM11-C3-100KG-3B-F1	EX ia II C T6 Ga; Ex a II C T80°C Db
	Mettler Toledo	MTB-100KG	EX ec II C T4 GC; Ex tc III CT130°C Dc
	HBM	K-Z6-F-C3-100-AL1/21-S3-N-N	Ex ia I Ma; Exia I Mb; Exia II C T4/T6 Ga; Exia IIC T4/T6 Gb; Ex iaD 20 T125; Ex iaD21 T125; Ex nA IIC T4/T6 Gc; Ex tD A21 IP67 T125°C



[LinkedIn](#)



[Facebook](#)



[Wechat](#)



General Measure Technology Co.,Ltd.

Address: Room2208, Block A, Building 6, Shenzhen International Innovation Valley,
Nanshan District, Shenzhen, Guangdong Province, P.R.China.

Tel/Wechat: +86 185 6585 5789

E-mail: xjlv@szgmt.com

Website: www.gmweighing.com