

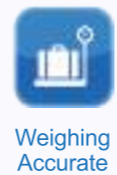
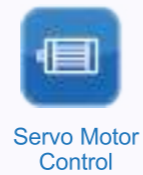
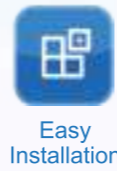
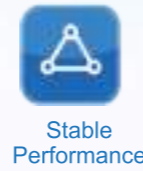
# Duplex Packing Filler (3 load cells structure) AF-25KII



**5-25kg**  
Weighing range

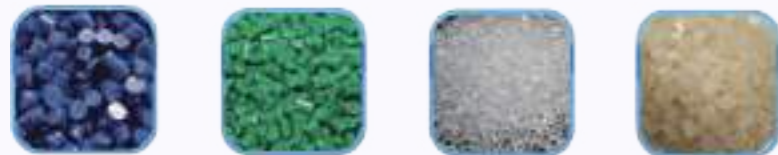
**±5~15g**  
Accuracy range

**2400** Pcs/h  
Top speed

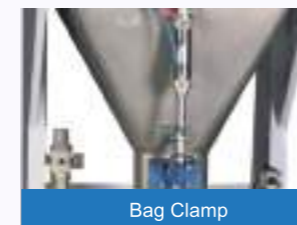


## Features:

- **Granular material:** design for plastic particle, granular fertilizer, feeds and other granular material;
- **Easy dismounting:** module design of measuring hopper for easy cleaning;
- **Parameter setting:** self-adjust function with target value set only;
- **Stable performance:** servo motor controls feeding process;
- **Fast and accurate:** weighing range is 5-25kg, Speed can reach 2400 pcs/h, and accuracy range ±5~15g.



## Optional:



- SS304 stainless steel.



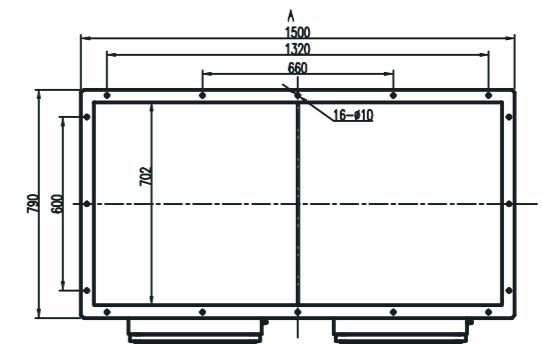
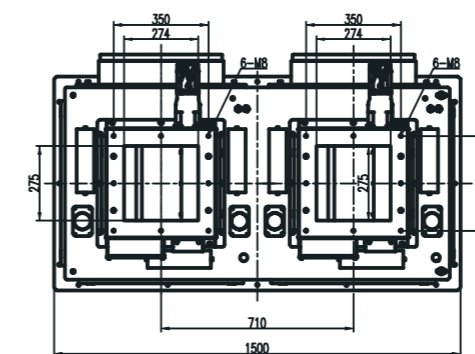
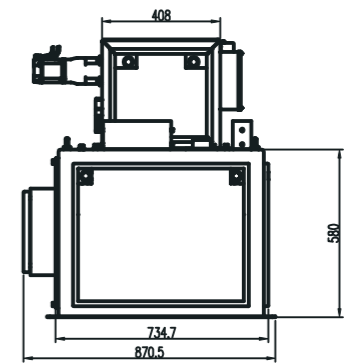
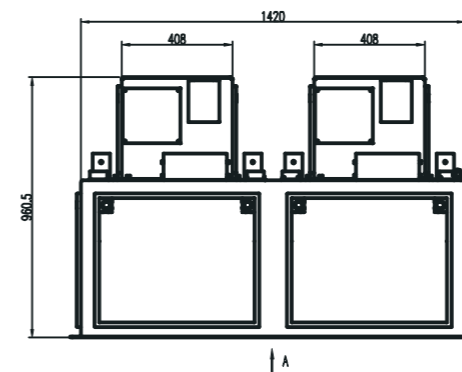
## Specification

|                     |   |
|---------------------|---|
| Model               | PaxGO AF-25KII (3 load cells structure)         |
| Weighing range      | 5~25Kg  |
| Division            | 1g  |
| Accuracy range*     | ±5~15g  |
| Top speed*          | 2400pcs/h                                       |
| Volume              | 55L x 2   |
| Feeding method      | Feeding control by servo, pneumatic discharging |
| Material            | SS304, carbon steel                             |
| I/O                 | 8 output(5V), 8 input(24V)                      |
| Communication       | RS485, Modbus TCP/IP                            |
| Pneumatic           | 0.4~0.6MPa                                      |
| Power               | Single Phase AC-220V ±10%, 50/60HZ, 2KW         |
| Working environment | 0~40°C, 90%R.H condensation is not allowed      |

\*Accuracy and speed depends on the material characteristics and packing weight.

## Structure & Dimension

Unit: mm



\*Specification and dimension may be upgraded, please consult sales manager for the latest info.