

Duplex Packing Filler (3 load cells structure) AF-50KII



10-50kg
Weighing range

± 10~25g
Accuracy range

2000 Pcs/h
Top speed



Stable Performance



Easy Installation



Servo Motor Control



Weighing Accurate

Features:

- **Granular material:** design for packing plastic particles, rice, sugar and other granular material;
- **Easy dismounting:** module design of measuring hopper for easy cleaning;
- **Parameter setting:** self-adjust function with target value set only;
- **Stable performance:** servo motor controls feeding process;
- **Fast and accurate:** weighing range is 10-50kg, Speed can reach 2000 pcs/h, and accuracy range ± 10~25g.



Optional:



10-inch touch screen

User-friendly interface design, vivid display, easy to operate.

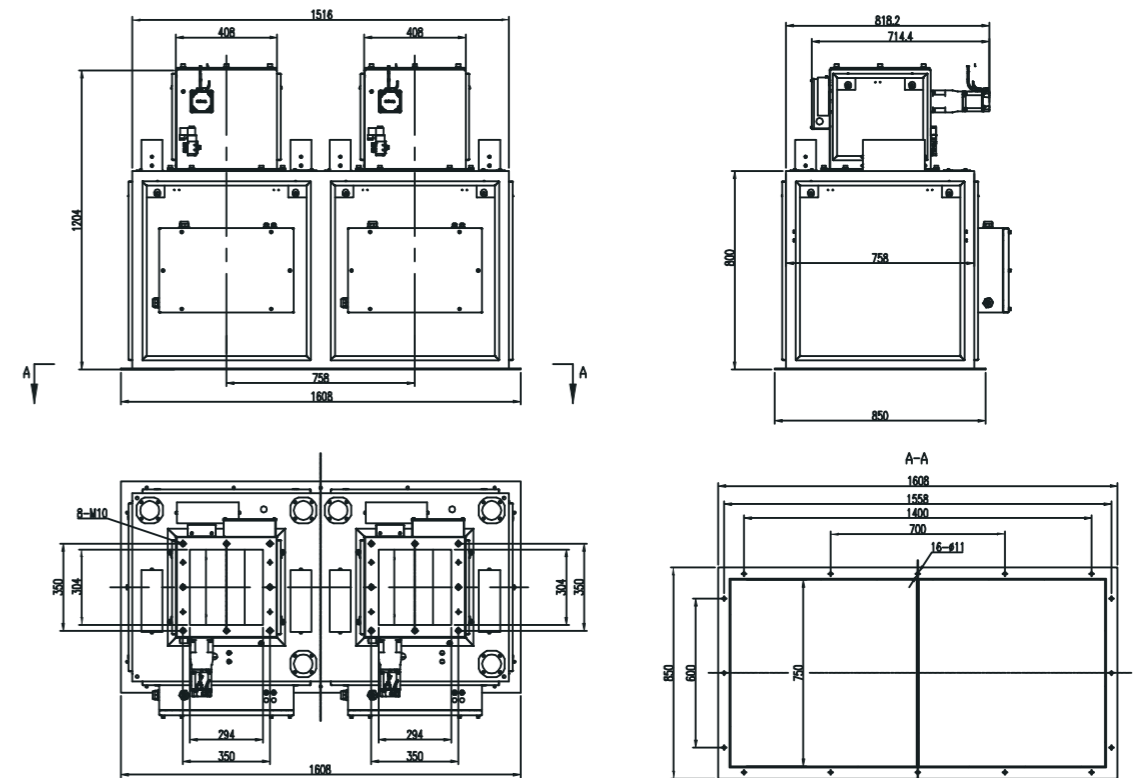
Specification

Model	PaxGO AF-50KII (3 load cells structure)
Weighing range	10~50Kg
Division	2g
Accuracy range*	±10~25g
Top speed*	2000pcs/h
Volume	86L x 2
Feeding method	Feeding control by servo, pneumatic discharging
Material	SS304, carbon steel
I/O	8 output(5V),8 input(24V)
Communication	RS485, Modbus TCP/IP
Pneumatic	0.4~0.6MPa
Power	Single Phase AC-220V ±10%, 50/60HZ, 2KW
Working environment	0~40°C, 90%R.H condensation is not allowed

*Accuracy and speed depends on the material characteristics and packing weight.

Structure & Dimension

Unit: mm



*Specification and dimension may be upgraded, please consult sales manager for the latest info.