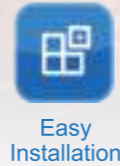
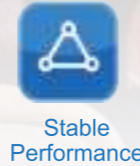


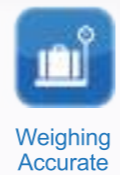
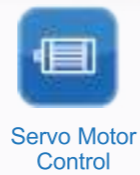
GRANULE PACKING FILLER (Large Particle Version) AF-50K



10-50kg
Weighing range



20-30g
Accuracy range



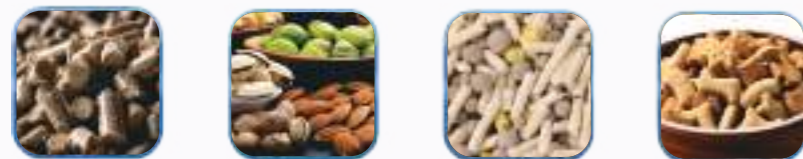
900 Pcs/h
Speed

Gravity Feeding+
Vibrator Feeding



Features:

- **Granular material:** design for large particles, such as wood pellets, animal feeds pellets, nuts, large particle dog foods, cat litter pellets and so on;
- **Material intake upgrade:** enlarger the material intake for large particles, preventing material blockage;
- **Stable performance:** servo motor controls feeding process;
- **Module design:** easy installation and dismantling;
- **Weighing accurate:** weighing range is 10-50kg. Speed can reach 900 pcs/h, and accuracy range 20-30g.



Material intake upgrade



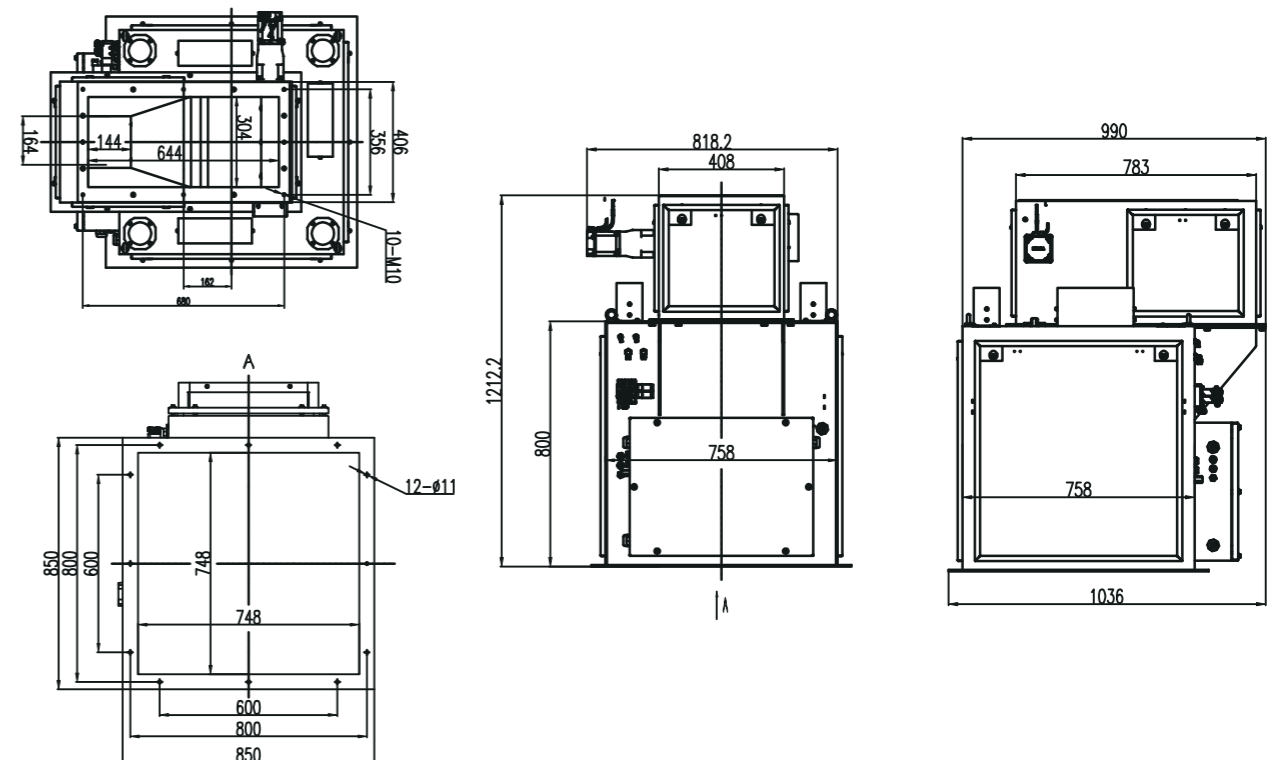
Specification

Model	PaxGO AF-50K(Large Particle Version)
Weighing range	10~50Kg
Division	2g
Accuracy range*	20-30g
Speed*	900pcs/h
Volume	86L
Feeding method	Feeding control by servo, pneumatic discharging
Material	SS304, carbon steel
I/O	8 output(5V),8 input(24V)
Communication	RS485, Modbus TCP/IP
Pneumatic	0.4~0.6MPa
Power	Single Phase AC-220V ±10%, 50/60HZ, 1KW
Working environment	0~40°C, 90%R.H condensation is not allowed

*Accuracy and speed depend on the material characteristics and packing weight.

Structure & Dimension

Unit: mm



*Specification and dimension may be upgraded, please consult sales manager for the latest info.