

GRANULE PACKING FILLER

(Jumbo Bag Packing Function Available)

AF-50K



5-50 kg
Weighing range

± 10~25g
Accuracy range

1000 Pcs/h
Top speed



Stable Performance



Easy Installation



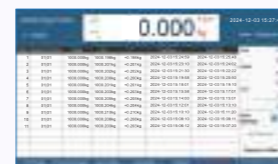
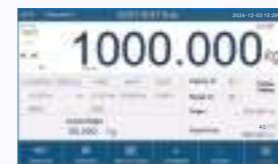
Servo Motor Control



Weighing Accurate

Optional:

- vibrator feeding



Features:

- **Granular material:** design for free-flow granular materials such as plastic particles, rice, sugar and so on;
- **Module design:** easy dismantling for cleaning;
- **Parameter setting:** self-adjust function with target value set only;
- **Stable performance:** servo motor controls feeding process;
- **Fast and accurate:** 1000 pcs/h, and accuracy range ± 10~25g;
- **Jumbo bag packing performance:** accuracy: ±500g, speed: 1t/min;
- **Jumbo bag packing function:** multi-pack continuous discharging available, fast feeding for speed and slow feeding of the last pack for accuracy;
- **History record:** every pack's entry and jumbo bag packing data recorded.

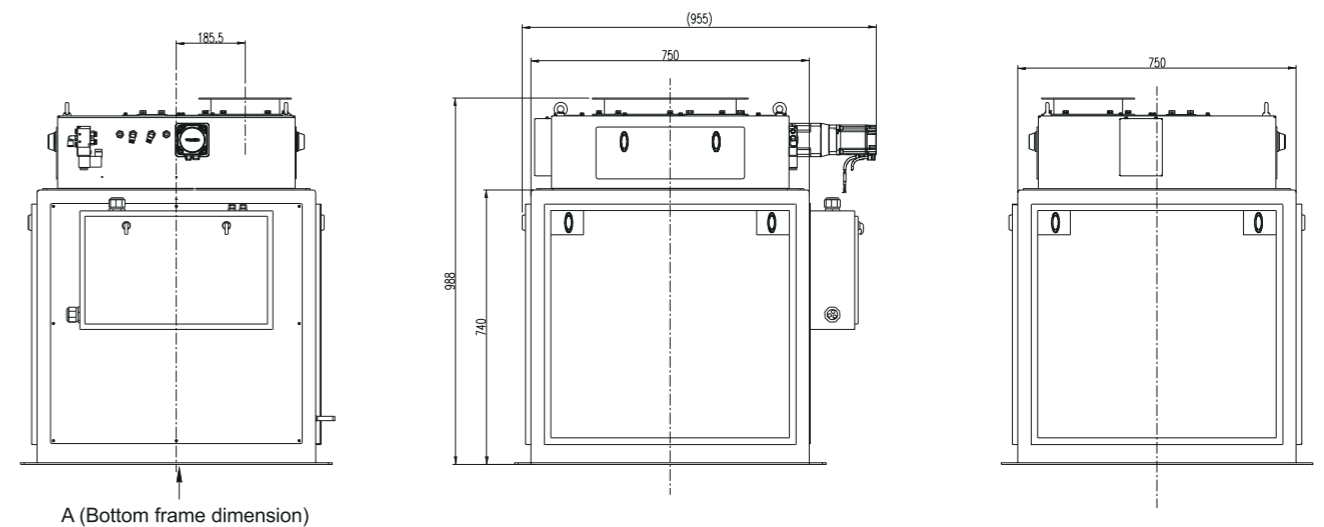


Specification		
Model	PaxGO AF-50K	AF-50K Jumbo Bag Packing
Weighing range	5~50Kg	500kg~50t
Division	2g	2g
Accuracy range*	±10~25g	±500g
Top speed*	1000pcs/h	1t/min
Volume	86L	
Feeding method	Feeding control by servo, pneumatic discharging	
Material	SS304, carbon steel	
I/O	8 output(5V),8 input(24V)	
Communication	RS485, Modbus TCP/IP	
Pneumatic	0.4~0.6MPa	
Power	Single Phase AC-220V ±10%, 50/60HZ, 1KW	
Working environment	0~40°C, 90%R.H condensation is not allowed	

*Accuracy and speed depends on the material characteristics and packing weight.

Structure & Dimension

Unit: mm



*Specification and dimension may be upgraded, please consult sales manager for the latest info.