

# PNEUMATIC VERSION AF-50K



**25-50kg**  
Weighing range



Stable Performance



Easy Installation

**±10~25g**  
Accuracy range



Pneumatic Cylinder Control



High Speed Weighing

**950 Pcs/h**  
Top speed

## Features:

- **Granular material:** design for packing plastic particles, rice, sugar and other granular material;
- **Easy installation:** module design, easy for installation and dismant;
- **Convenient setup:** self-adjust function with target value set only;
- **High-speed performance:** pneumatic cylinder control, speed can reach above 950pcs/h;
- **Weighing accurate:** weighing range is 25~50kg, accuracy range is ±10~25g.



## Optional:



10-inch touch screen

User-friendly interface design, vivid display, easy to operate.

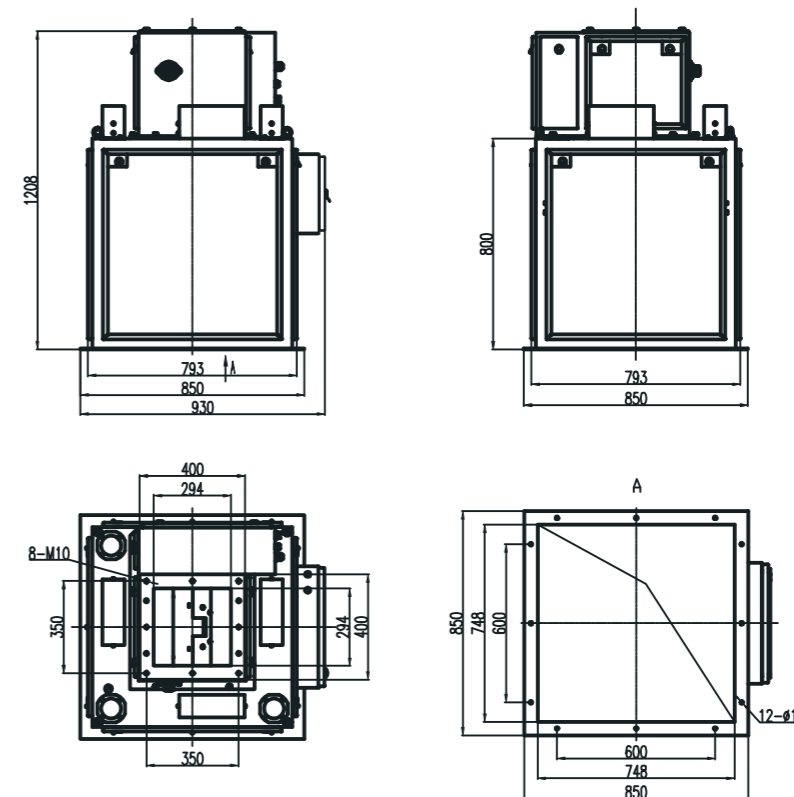
## Specification

Model	PaxGO AF-50K Pneumatic Version
Weighing range	25~50Kg
Division	2g
Accuracy range*	±10~25g
Top speed*	950pcs/h
Volume	86L
Feeding method	Pneumatic cylinder control
Material	SS304, carbon steel
I/O	8 output(5V),8 input(24V)
Communication	RS485, Modbus TCP/IP
Pneumatic	0.4~0.6MPa
Power	Single Phase AC-220V ±10%,50/60HZ,1KW
Working environment	0~40°C, 90%R.H condensation is not allowed

\*Accuracy and speed depends on the material characteristics and packing weight.

## Structure & Dimension

Unit: mm



\*Specification and dimension may be upgraded, please consult sales manager for the latest info.